

IR Crop Temperature Meter

PRODUCT MANUAL

Item # 2956



Spectrum[®]
Technologies, Inc.

Thank you for purchasing the Infrared Crop Temp Meter. The compact size lets you get into tight places while its convenient laser targeting and high distance to spot ratio (D:S) gives you accurate readings on distant targets. Please read this manual thoroughly before using your meter.

CAUTION

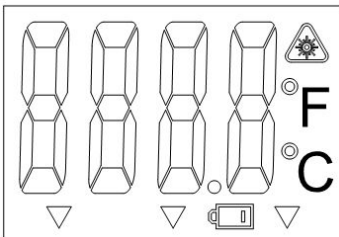
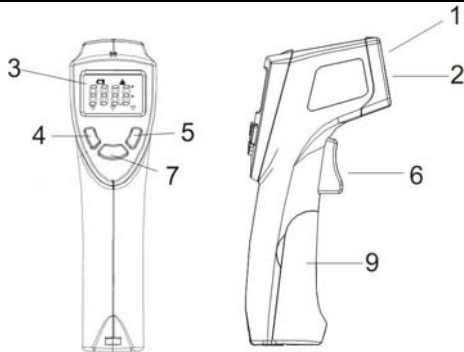
Use extreme caution when the laser beam is turned on. Do not point the laser toward the eyes or face of a person or animal. The laser's potential to cause damage is retained for hundreds of feet. Be careful not to let the beam reflect off a surface to your eyes.

SPECIFICATIONS

Range	-40 to 600°F (-40 to 320°C)
Accuracy	±2% or ±3.6°F (±2°C)
Operating Temperature	32 to 122°F (0 to 50°C)
Response Time	500ms
Auto Power Off	6 seconds
Emissivity	0.95
Distance to Target Ratio	8:1
Power Supply	9V battery

DESCRIPTION

1. Laser pointer beam
2. IR sensor
3. LCD display
4. C/F select key
5. Backlight key
6. Trigger (measure)
7. Laser key
9. Battery compartment



LCD Display
 Digital readout
 Laser icon
 °C—Celsius
 °F—Fahrenheit
 Battery Low indicator

OPERATION

Power ON/OFF

The meter automatically powers on when the trigger is pulled. Pull the trigger to take a reading. Read the measured temperature on the LCD. The meter powers OFF automatically approximately 6 seconds after the trigger is released.

Selecting Temperature units (C/F)

Select temperature units by pulling and holding the trigger, then press the C/F key until the desired units are shown on the LCD.

Data Hold

The meter automatically holds the last temperature reading on the LCD for 6 seconds after the trigger is released.

Backlight LCD

Select backlight by first pulling the trigger and then pressing the BACKLIGHT key. Repeat the procedure to turn the backlight off.

Laser Pointer

To turn the laser pointer ON, press the LASER key while pulling the trigger. Repeat the procedure to turn the laser OFF.

Measurement Considerations

Point the IR Sensor toward the object whose temperature is to be measured. The meter automatically compensates for deviations from ambient temperature. However, the meter will take up to 30 minutes to adjust to wide ambient temp. changes. This results from the need to acclimate the IR sensor.

Battery Replacement

A flashing display indicates that the battery voltage has fallen into the critical region (6.5 to 7.5 V). Reliable readings can be obtained for several hours after the first appearance of the low battery indication. Open the Battery Compartment and remove the battery, then install a new 9V battery and reinstall the cover.

Maintenance

Case cleaning

Use caution with a damp cloth to clean the exterior housing, ensure no water or soap is allowed inside the meter and on the infrared lens.

Lens cleaning

Keep the lens clean to ensure reading accuracy. Use low pressure compressed air to remove any particles on the lens. If the contamination can not be removed with air, use a soft cotton swab. Any swab should be slightly damp, and very light pressure should be applied to the lens.

Do not use solvents to clean the lens.

WARRANTY

This product is warranted to be free from defects in material or workmanship for one year from the date of purchase. During the warranty period Spectrum will, at its option, either repair or replace products that prove to be defective. This warranty does not cover damage due to improper installation or use, lightning, negligence, accident, or unauthorized modifications, or to incidental or consequential damages beyond the Spectrum product. Before returning a failed unit, you must obtain a Returned Materials Authorization (RMA) from Spectrum. Spectrum is not responsible for any package that is returned without a valid RMA number or for the loss of the package by any shipping company.



This equipment has been manufactured for
Spectrum Technologies, Inc.
12360 S. Industrial Dr. East
Plainfield, IL 60585 USA

The Manufacturer's **DECLARATION OF CONFORMITY** is on file at the above address, and certifies conformity to the following:

Model Numbers: 2956
Description: IR Temperature Meter
Type: Electrical Equipment for Measurement, Control, and Laboratory Use

Directive: 89/336/EEC
Standards: EN 61326:1997/A1:1998
EN 61000-4-2:1995/A1:1998/A2:2000
EN 61000-4-3:1995/A1:1998/A2:2000
EN 55011:1998/A1:2000 (Group 1, Class B)

Spectrum[®] ***Technologies, Inc.***

12360 S. Industrial Dr. E
Plainfield IL 60585
(800) 248-8873 or (815) 436-4440
Fax (815) 436-4460
E-Mail: info@specmeters.com
www.specmeters.com